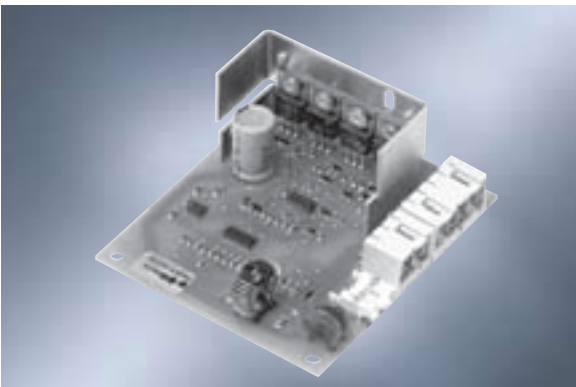


BG-Motor

Electronics KOM 4-1



- Operating electronics for open loop speed controlled operation of EC motors BG 36, 24 V version.
- Power supply, signal interface and motor connection via 3 separate plugs.
- Version for 230 V AC on request.

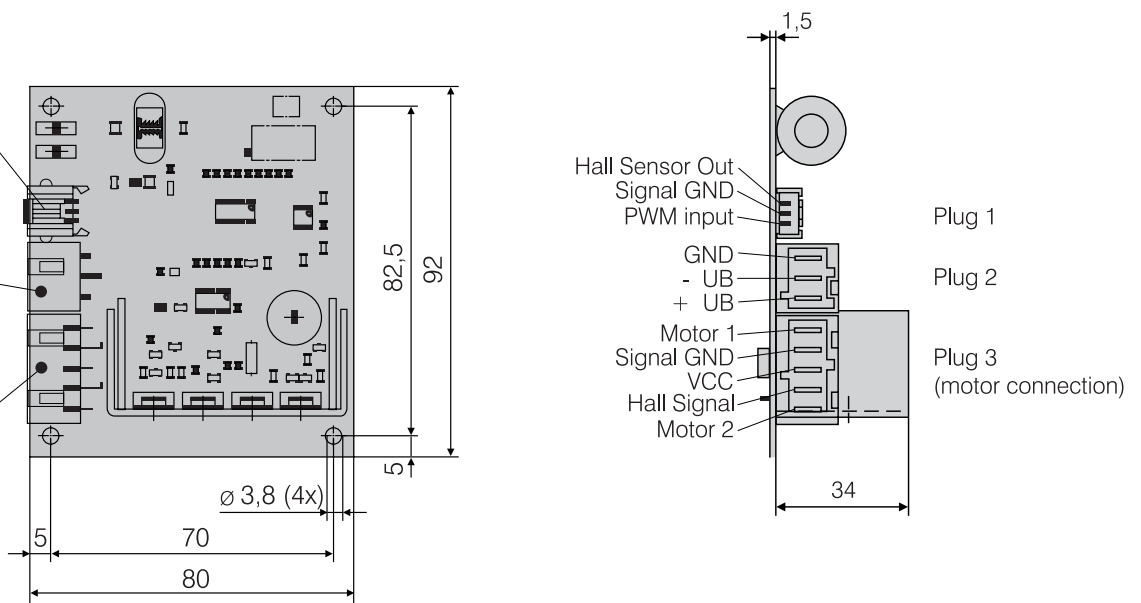
ebm-papst · Landshut

Pin connection

Plug housing
No. 3853 03 00 02
Lumberg
matching
mating connector:
No. 3820 03 00 02
Lumberg

Plug housing
No. 3642 03 K01
Lumberg
matching
mating connector:
No. 3611 03 K01
Lumberg

Plug housing
No. 3642 05 K30
Lumberg
matching
mating connector:
No. 3611 05 K30
Lumberg



Interface description

